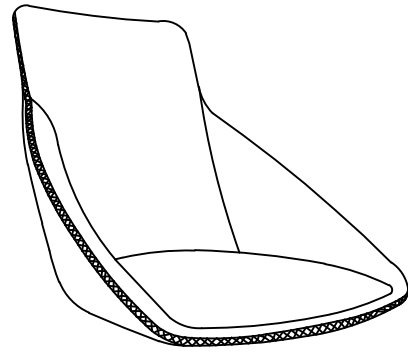
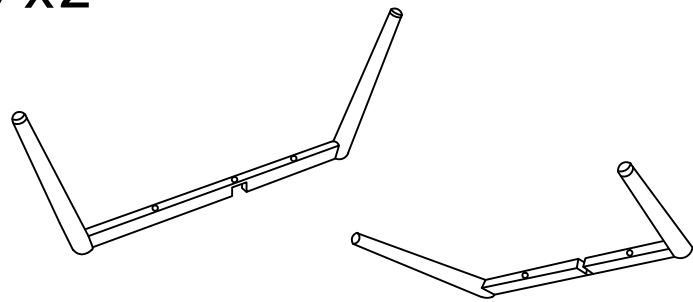


# S-1216

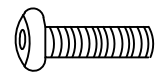
(A) x1



(B) x2

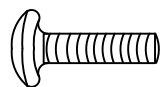


(C) x1



M8\*25MM

(D) x4



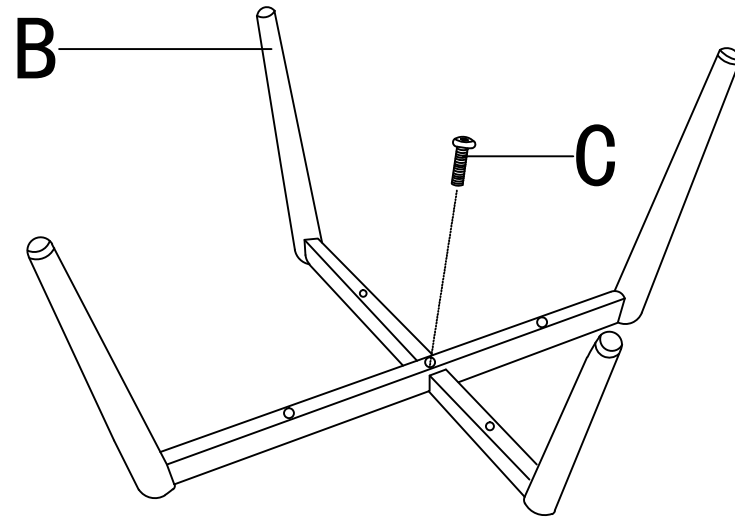
M6\*45MM

(E) x1

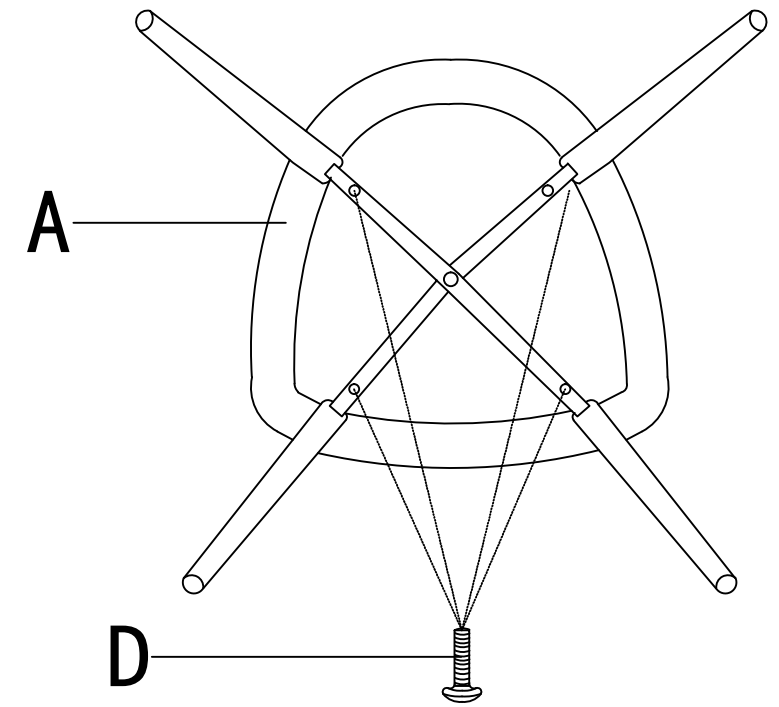


M6

1



1



3

